

SPECIFICATION

Electrical Rating : 10A 250VAC/125VAC(UL)
 10(4)A 250VAC(VDE,ENEC)
 Mechanical life: Over 30000 cycles
 Electrical life: Over 10000 cycles
 Contact resistance: <20mΩ(Initial)
 Insulation resistance: >1000MΩ
 High voltage resistance: >1500V 1 min.
 Ambient temperature: Terminal side -20 to +85°C
 Actuating side -20 to +55°C
 Storage temperature: -30 to +85°C
 Atmospheric humidity: Max.85%
 Actuating force: 3 ~8N(Depends on different switch function)
 Flammability: UL94 V-2
 Temperature rise at the terminal: Max 30°C (UL1054)
 Solder ability of terminal: Max 350°C, 3s

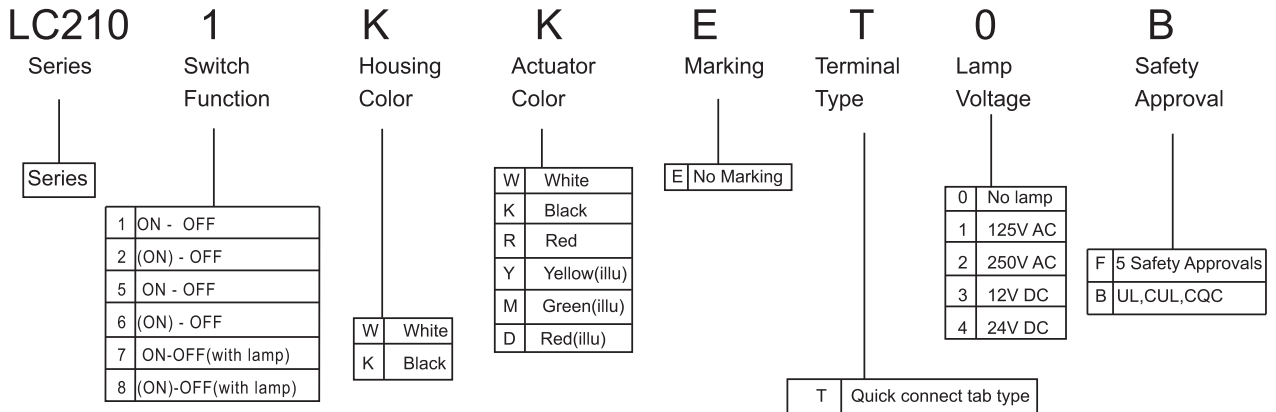


MATERIALS

Housing: PA66
 Rocker: PC/PA66
 Contacts: Silver alloy
 Terminal: Brass silver plated
 Spring: SWC
 Movable Arm: C2680
 Bracket: PA66





HOW TO ORDER

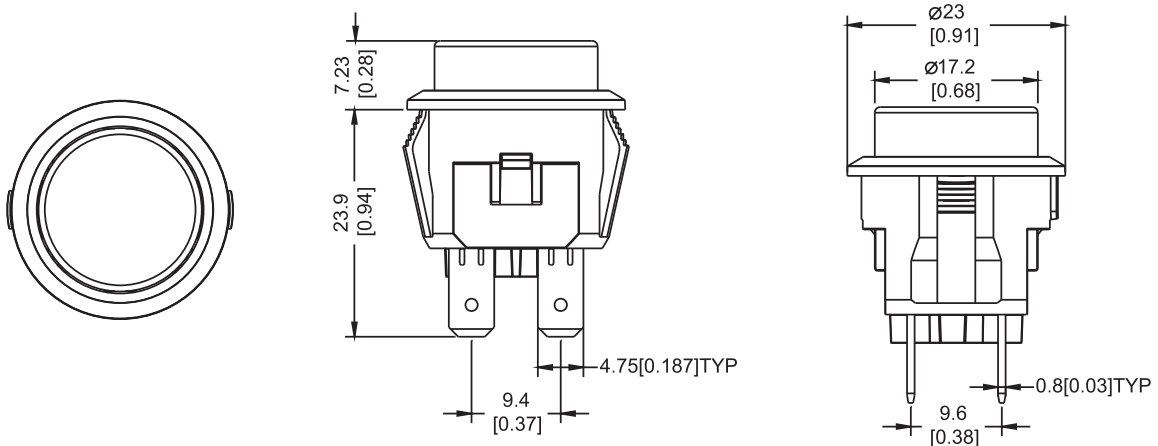


LC210

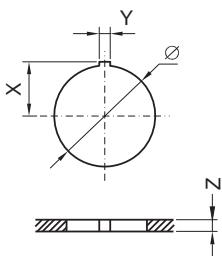
OPTIONS OF SWITCH FUNCTION

Item No	POLES & THROWS	Down	Center	Up
			••	
LC2101	SPST	ON	None	OFF
LC2102	SPST	(ON)	None	OFF
LC2105	DPST	ON	None	OFF
LC2106	DPST	(ON)	None	OFF
LC2107	DPST(with lamp)	ON	None	OFF
LC2108	DPST(with lamp)	(ON)	None	OFF

DIMENSION



PANEL CUT OUT



PANEL CUT OUT			
Z	Y	X	Ø
0.7~1.25	2	11	Ø20.5
1.25~2.0	2	11	Ø20.5
2.0~3.0	2	11	Ø20.5

CIRCUITS FOR SWITCH WITH LAMP

