

SPECIFICATION

Electrical Rating : 15A 250VAC/125VAC(UL)
10(4)A 250VAC(VDE)

Mechanical life: Over 30000 cycles
Electrical life: Over 10000 cycles
Contact resistance: <20mΩ
Insulation resistance: >1000MΩ
High voltage resistance: >1500V 1 min.
Ambient temperature: Terminal side -20 to +85°C
Actuating side -20 to +55°C

Storage temperature: -30 to +80°C Max
Atmospheric humidity: Max.85%
Actuating force: 3 to 6N(Depends on different switch function)
Flammability: 94V-2
Temperature rise at the terminal: Max 30°C (UL1054)
Solder ability of terminal: Max 350°C, 3s



MATERIALS

Housing: PA66
Rocker: PC
Contacts: Silver alloy
Terminal: Copper silver plated
Spring: SUS
Movable Arm: Copper silver plated
Lamp: Neon Lamp, Tungsten Lamp
Bracket: PA66





HOW TO ORDER

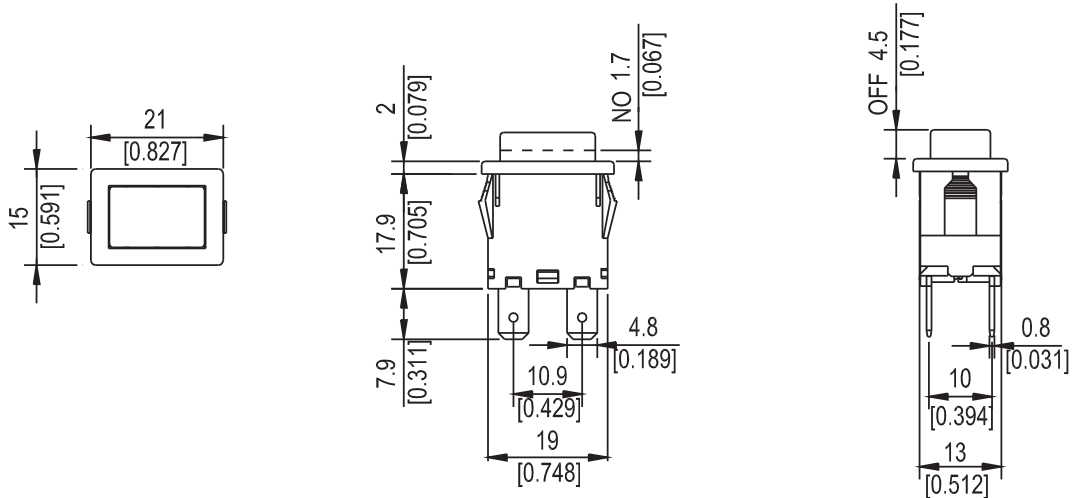
LC83	01	K	K	E	T	0	C																																																	
Series	Switch Function	Housing Color	Actuator Color	Marking	Terminal Type	Lamp Voltage	Safety Approval																																																	
Series				E No Marking																																																				
	<table border="1"> <tr><td>01</td><td>ON - OFF</td></tr> <tr><td>02</td><td>(ON) - OFF</td></tr> <tr><td>03</td><td>ON-OFF (with lamp)</td></tr> <tr><td>04</td><td>(ON) - OFF(with lamp)</td></tr> <tr><td>05</td><td>ON - OFF</td></tr> <tr><td>06</td><td>(ON) - OFF</td></tr> <tr><td>07</td><td>ON-OFF(with lamp)</td></tr> <tr><td>08</td><td>(ON)-OFF(with lamp)</td></tr> </table>	01	ON - OFF	02	(ON) - OFF	03	ON-OFF (with lamp)	04	(ON) - OFF(with lamp)	05	ON - OFF	06	(ON) - OFF	07	ON-OFF(with lamp)	08	(ON)-OFF(with lamp)	<table border="1"> <tr><td>W</td><td>White</td></tr> <tr><td>K</td><td>Black</td></tr> </table>	W	White	K	Black	<table border="1"> <tr><td>W</td><td>White</td></tr> <tr><td>K</td><td>Black</td></tr> </table>	W	White	K	Black	<table border="1"> <tr><td>W</td><td>White</td></tr> <tr><td>K</td><td>Black</td></tr> <tr><td>R</td><td>Red</td></tr> <tr><td>Y</td><td>Yellow(illu)</td></tr> <tr><td>M</td><td>Green(illu)</td></tr> <tr><td>D</td><td>Red(illu)</td></tr> </table>	W	White	K	Black	R	Red	Y	Yellow(illu)	M	Green(illu)	D	Red(illu)	<table border="1"> <tr><td>0</td><td>No lamp</td></tr> <tr><td>1</td><td>125V AC</td></tr> <tr><td>2</td><td>250V AC</td></tr> <tr><td>3</td><td>12V DC</td></tr> <tr><td>4</td><td>24V DC</td></tr> </table>	0	No lamp	1	125V AC	2	250V AC	3	12V DC	4	24V DC	<table border="1"> <tr><td>C</td><td>4 Safety Approvals</td></tr> <tr><td>E</td><td>None Approvals</td></tr> </table>	C	4 Safety Approvals	E	None Approvals
01	ON - OFF																																																							
02	(ON) - OFF																																																							
03	ON-OFF (with lamp)																																																							
04	(ON) - OFF(with lamp)																																																							
05	ON - OFF																																																							
06	(ON) - OFF																																																							
07	ON-OFF(with lamp)																																																							
08	(ON)-OFF(with lamp)																																																							
W	White																																																							
K	Black																																																							
W	White																																																							
K	Black																																																							
W	White																																																							
K	Black																																																							
R	Red																																																							
Y	Yellow(illu)																																																							
M	Green(illu)																																																							
D	Red(illu)																																																							
0	No lamp																																																							
1	125V AC																																																							
2	250V AC																																																							
3	12V DC																																																							
4	24V DC																																																							
C	4 Safety Approvals																																																							
E	None Approvals																																																							
					T Quick connect tab type																																																			



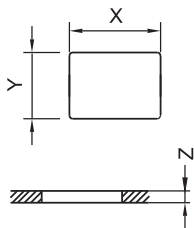
OPTIONS OF SWITCH FUNCTION

Item No	POLES&THROWS	Push button position ():Momentary		
		Down	Center	Up
				
LC8301	SPST	ON	None	OFF
LC8302	SPST	(ON)	None	OFF
LC8303	SPST(with lamp)	ON	None	OFF
LC8304	SPST(with lamp)	(ON)	None	OFF
LC8305	DPST	ON	None	OFF
LC8306	DPST	(ON)	None	OFF
LC8307	DPST(with lamp)	ON	None	OFF
LC8308	DPST(with lamp)	(ON)	None	OFF

DIMENSION



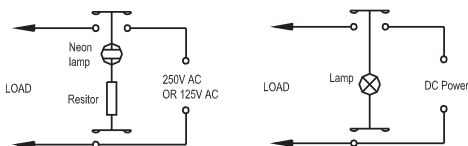
PANEL CUT OUT



Z	Y	X
0.70~1.25	12.90~13.00	19.10~19.20
1.25~2.00	12.90~13.00	19.30~19.40
2.00~3.00	12.90~13.00	19.50~19.60

CIRCUITS FOR SWITCH WITH LAMP

Circuits for LC8303,LC8304



Circuits for LC8307,LC8308

