

MPB19 Series

19mm Metal Pushbutton Switches



SPECIFICATIONS

- RATING** : lth 5A/250VAC resistive load 3A/250VAC
- CONTACT RESISTANCE** : 50 mΩ max. @ 1A 12VDC (initial value)
- INSULATION RESISTANCE** : 1,000 MΩ min. at 500VDC
- DIELECTRIC STRENGTH** : 2,000V RMS @ sea level
- OPERATION TEMPERATURE** : -20°C to 55°C
- MECHANICAL LIFE** : Momentary 1,000,000 cycles
Self-lock 500,000 cycles
- ELECTRICAL LIFE** : 50,000 make-and-break cycles at full load
- TORQUE** : 5~14Nm
- PANEL THICKNESS** : 10mm (Ø19.20mm)
- OPERATION PRESSURE** : 1Pole 2.5±1N / 2Poles 3.5±1N
- TRAVEL** : About 3.2mm
- INGRESS PROTECTION** : IP67, IK10(Stainless)

MATERIALS

- BUSHING** : Stainless Steel / Nickel plated brass
/ Aluminum alloy
- BASE** : PBT(UL 94-V0) , PC(UL 94-V2)
- ACTUATOR** : PC(UL 94-V2) ; Stainless Steel
/ Nickel plated brass / Aluminum alloy
- INNER ASSEMBLY** : POM / PA66.
- SPRING** : Spring steel.
- SEALING** : Silicone.
- O-Ring** : Silicone.
- TERMINAL / CONTACT** : Copper ,Silver plated.
- HEX NUT** : Nickel plated brass.

HOW TO ORDER

MODEL NO. BODY TYPE BUTTON TYPE CONTACT CONFIGURATION OPERATING TYPE LIGHT TYPE LED COLOR LED VOLTAGE TERMINAL SHAPE TERMINAL PLATING



- Body type**
- A0 Stainless (Natural)
 - B1 Brass (Mirror Chrome Plated)
 - B2 Brass (Nikel Plated)
 - C3 Al alloy (Black Anodized)

- Button type**
- F Flat
 - H High
 - R Round (Without LED only)

- Contact Configuration**
- 1 1NO 1NC
 - 2 2NO 2NC

- Operating type**
- 0 Momentary
 - 1 Lock

- Light type**
- 0 Without LED
 - R Ring (Fixed)
 - D Spot
 - E Ring (Moveable) (Flat button only)

LED color

ITEM NO	COLOR
0	Without LED
1	White
3	Red
5	Yellow
6	Green
7	Blue
DUAL COLOR LED	
A	Red&Green
B	Red&Blue
G	Red&Yellow

LED voltage (20mA)

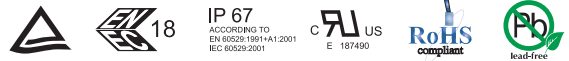
ITEM NO	VOLTAGE
0	Without LED
3	3V
6	6V
12	12V
24	24V
36	36V
110	110V
220	220V

- Terminal shape**
- J Solder terminal
 - S2 Short solder terminal
 - T1 Flying lead terminals L=500mm
 - T2 Flying lead terminals L=1000mm
 - T3 Flying lead terminals L=1500mm
 - T4 Flying lead terminals L=2000mm

- Terminal plating**
- Q Silver
 - R Gold

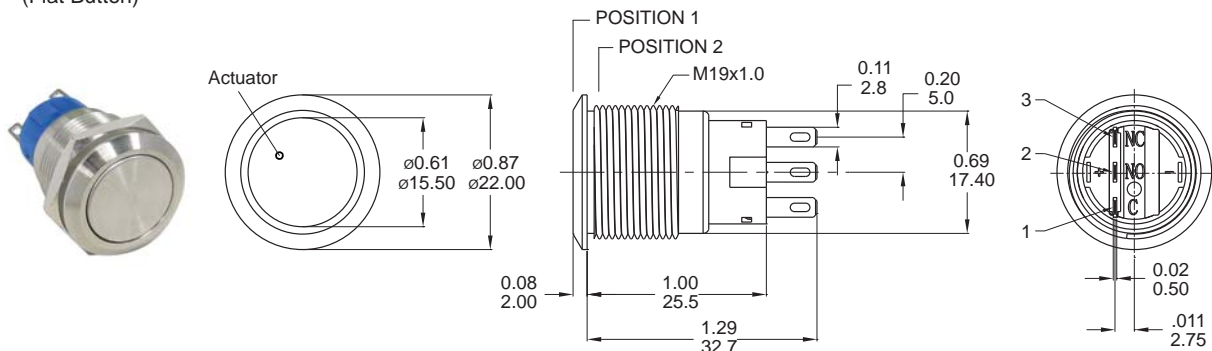
EXAMPLE:
MPB19-A0F100-JQ (Without LED)
MPB19-A0F10R-□-□-JQ

LED color LED voltage



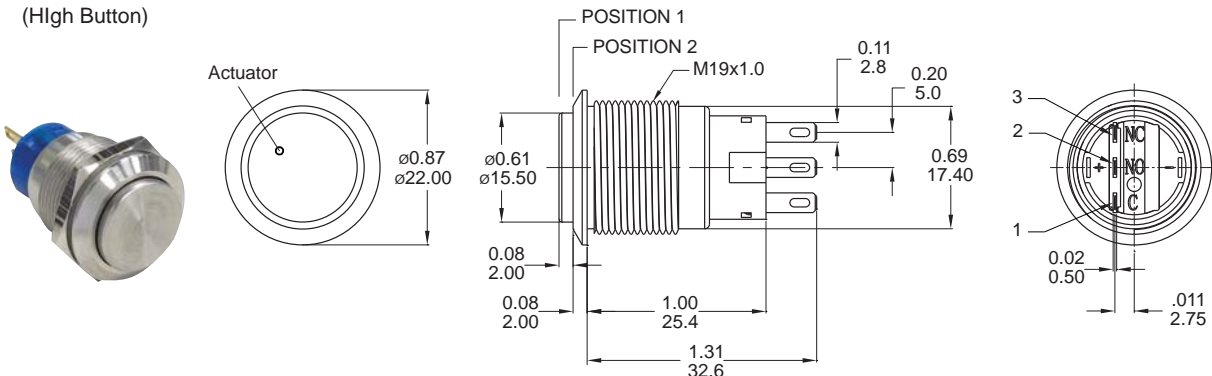
LIGHT TYPE

0 Without LED
(Flat Button)



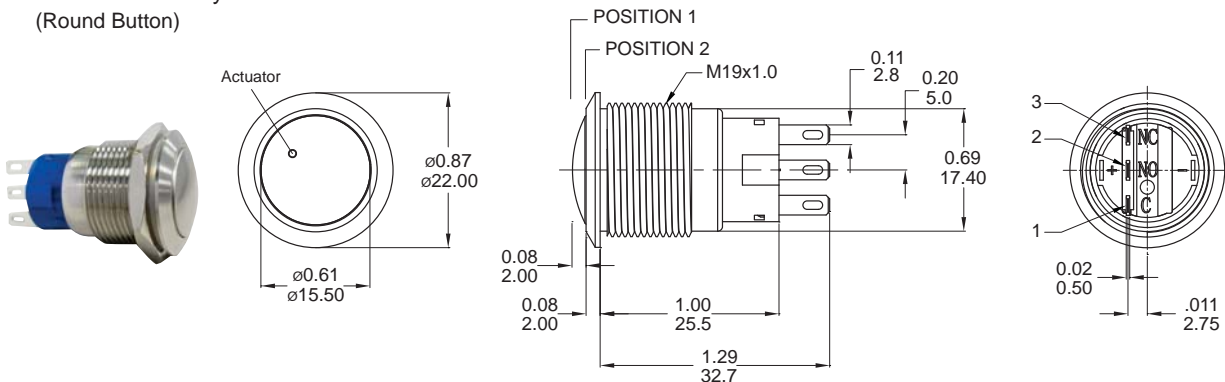
Part No. Shown : MPB19-A0F1□0-JQ

0 Without LED
(High Button)



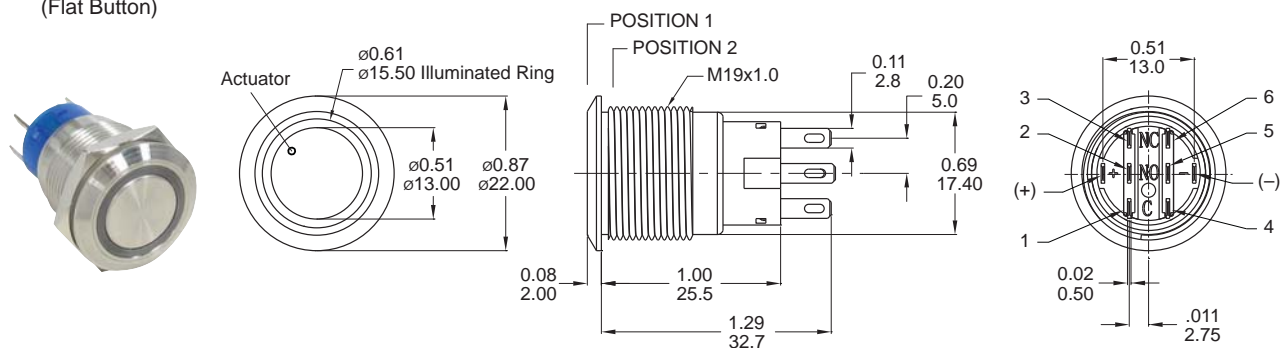
Part No. Shown : MPB19-A0H1□0-JQ

0 Without LED only
(Round Button)



Part No. Shown : MPB19-A0R1□0-JQ

R Ring (Fixed)
(Flat Button)



Part No. Shown : MPB19-A0F2□R-□□-JQ

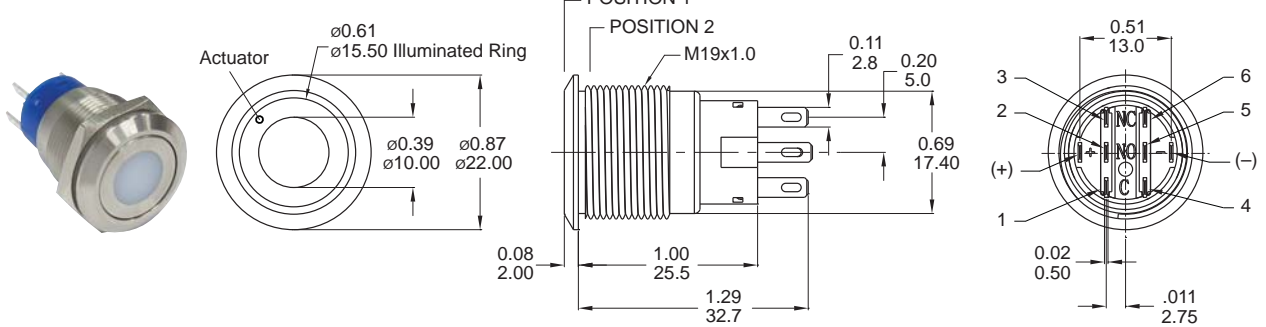


MPB19
19mm Metal Switches

MPB19 Series

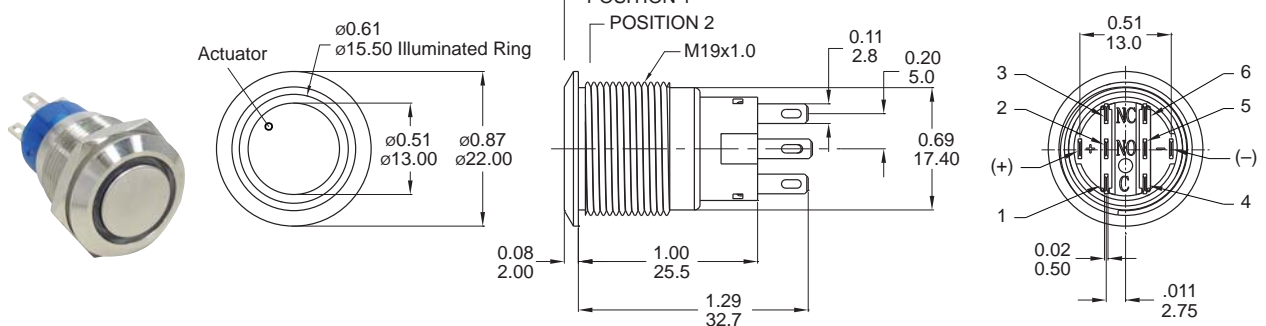
19mm Metal Pushbutton Switches

D Spot (Flat Button)



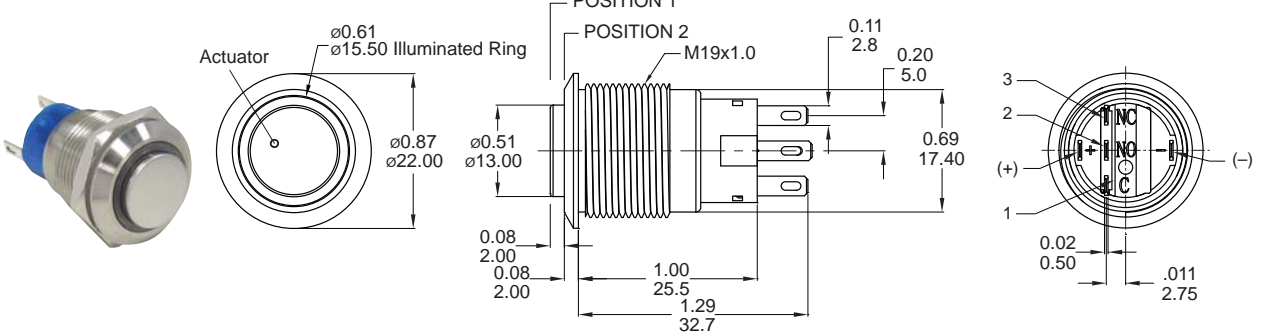
Part No. Shown : MPB19-A0F2□D-□□-JQ

E Ring (Moveable) (Flat Button)



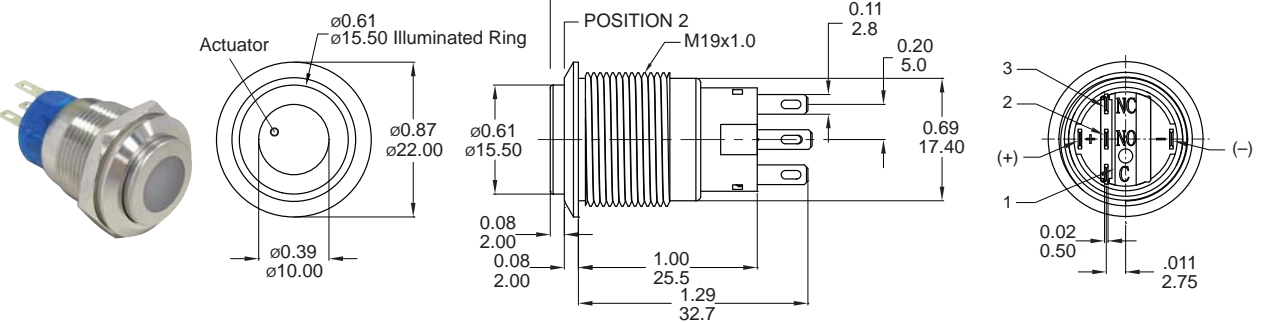
Part No. Shown : MPB19-A0F2□E-□□-JQ

R Ring (Fixed) (High Button)



Part No. Shown : MPB19-A0H1□R-□□-JQ

D Spot (High Button)

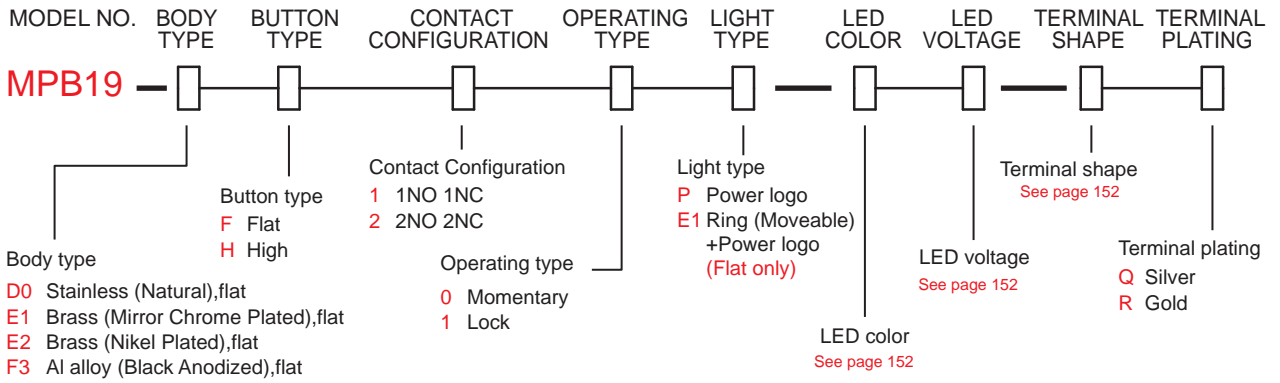


Part No. Shown : MPB19-A0H1□D-□□-JQ



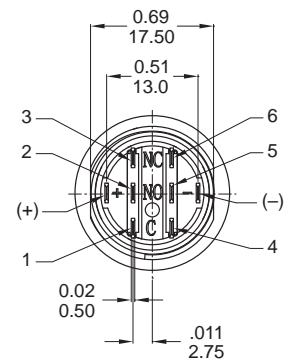
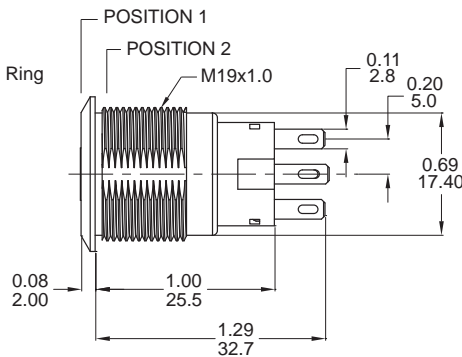
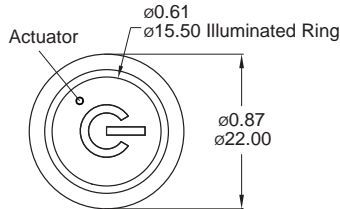
MPB19 Pushbutton Switches

HOW TO ORDER



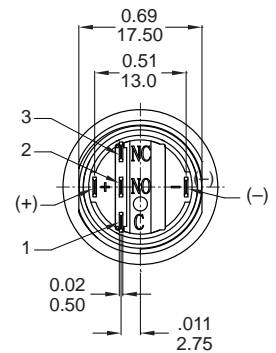
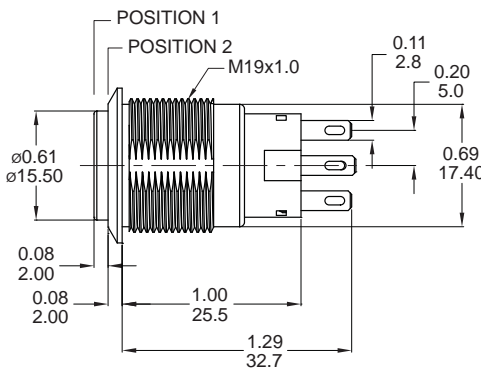
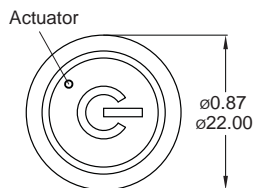
LIGHT TYPE

P Power logo
(Flat Button)



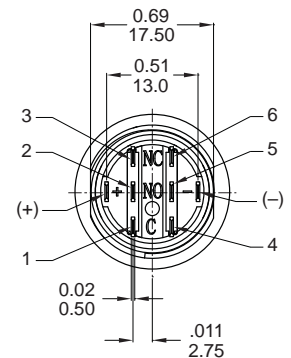
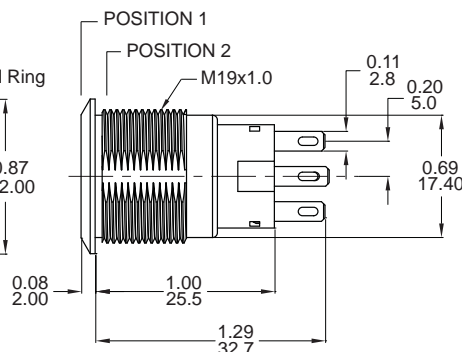
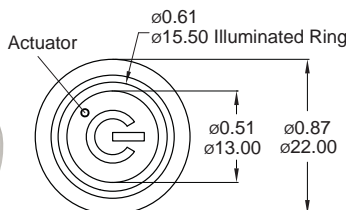
Part No. Shown : MPB19-D0F2□P-□□-JQ

P Power logo
(High Button)



Part No. Shown : MPB19-D0H1□P-□□-JQ

E1 Ring (Moveable)+Power logo
(Flat Button)



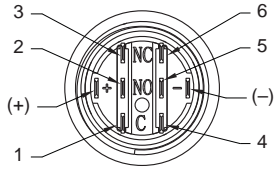
Part No. Shown : MPB19-D0F2□E1-□□-JQ



MPB19 Series

19mm Metal Pushbutton Switches

CIRCUIT



POSITION 1

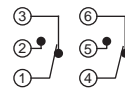


Without LED (1 Pole)

POSITION 2

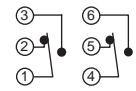


POSITION 1



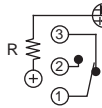
Without LED (2 Poles)

POSITION 2



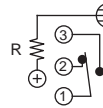
Single Color Led

POSITION 1

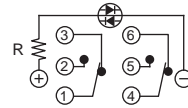


With LED (1 Pole)

POSITION 2

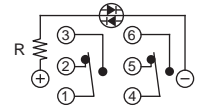


POSITION 1



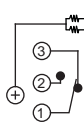
With LED (2 Poles)

POSITION 2



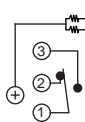
Dua Color Led

POSITION 1

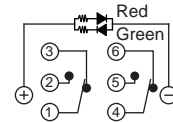


With LED (1 Pole)

POSITION 2

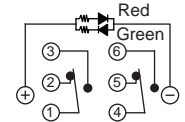


POSITION 1



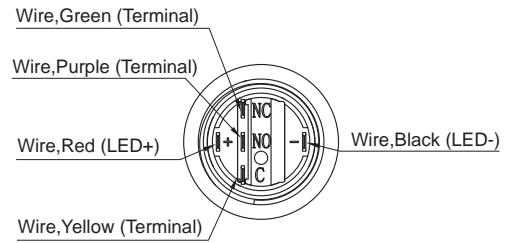
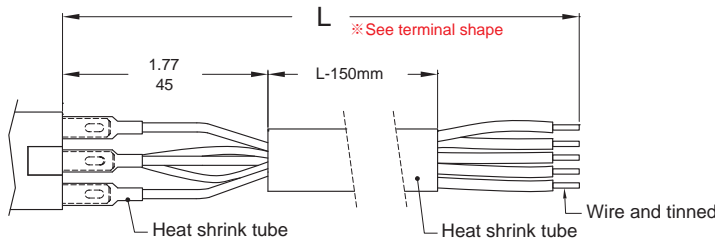
With LED (2 Poles)

POSITION 2

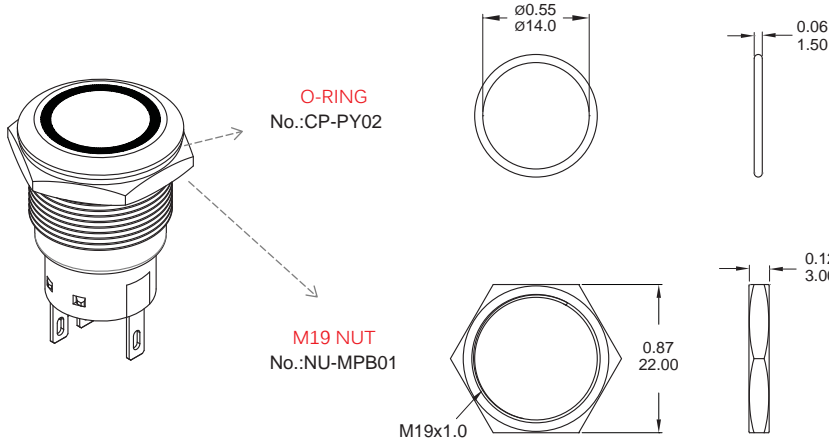


Wire (Flying lead Terminals)

※Wire=UL 3385,18AWG,300V(Black/Yellow/Green/Red/Purple)



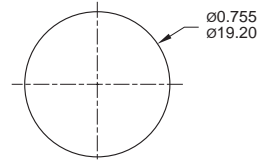
ASSEMBLED VIEW



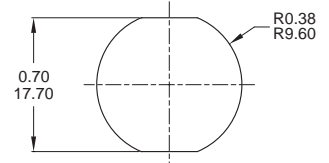
PANEL MOUNTING

Max. Panel thickness: 10.0mm[0.39]

O / R / D / E Light Type



P Light Type



O-RING INSTALLATION

