



SPECIFICATIONS

- RATING** : 1th 5A/250VAC resistive load 3A/250VAC
- CONTACT RESISTANCE** : 50 mΩ max. @ 1A 12VDC (initial value)
- INSULATION RESISTANCE** : 1,000 MΩ min. at 500VDC
- DIELECTRIC STRENGTH** : 2,000V RMS @ sea level
- OPERATION TEMPERATURE** : -20°C to 55°C
- MECHANICAL LIFE** : Momentary 1,000,000 cycles
Self-lock 500,000 cycles
- ELECTRICAL LIFE** : 50,000 make-and-break cycles at full load
- TORQUE** : 5~14Nm
- PANEL THICKNESS** : 10mm (Ø22.20mm)
- OPERATION PRESSURE** : 1Pole 1.5~2.5N / 2Poles 2.2~3.5N
- TRAVEL** : About 3.2mm
- INGRESS PROTECTION** : IP67, IK10(Stainless)

MATERIALS

- BUSHING** : Stainless Steel / Aluminum alloy
- BASE** : PBT(UL 94-V0) , PC(UL 94-V2)
- ACTUATOR** : PC; Stainless Steel / Aluminum alloy
- INNER ASSEMBLY** : POM / PA66.
- SPRING** : Spring steel.
- SEALING** : Sillicone.
- O-Ring** : Sillicone.
- TERMINAL / CONTACT** : Copper ,Silver plated.
- HEX NUT** : Nickel plated brass



HOW TO ORDER

MODEL NO. BODY TYPE BODY COLOR BUTTON TYPE CONTACT CONFIGURATION OPERATING TYPE LIGHT TYPE LED COLOR LED VOLTAGE TERMINAL SHAPE TERMINAL PLATING



Button type
F Flat

Body type		Body color	
A	Stainless	0	Natural
B	Al alloy	1	Black Anodized

Contact Configuration
1 1NO 1NC
2 2NO 2NC

Operating type
0 Momentary
1 Lock

Light type
E Ring (Moveable)

Terminal shape
J Solder Terminal

LED voltage

ITEM NO	VOLTAGE
0	Without LED
3	3V
6	6V
12	12V
24	24V
110	110V
220	220V

LED color

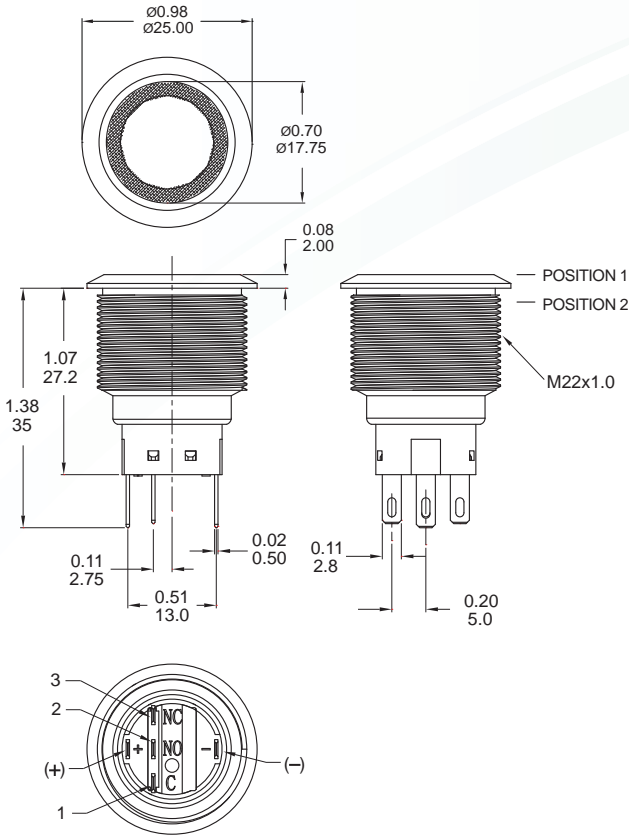
ITEM NO	COLOR
0	Without LED
1	White
3	Red
5	Yellow
6	Green
7	Blue

Terminal plating
Q Silver
R Gold

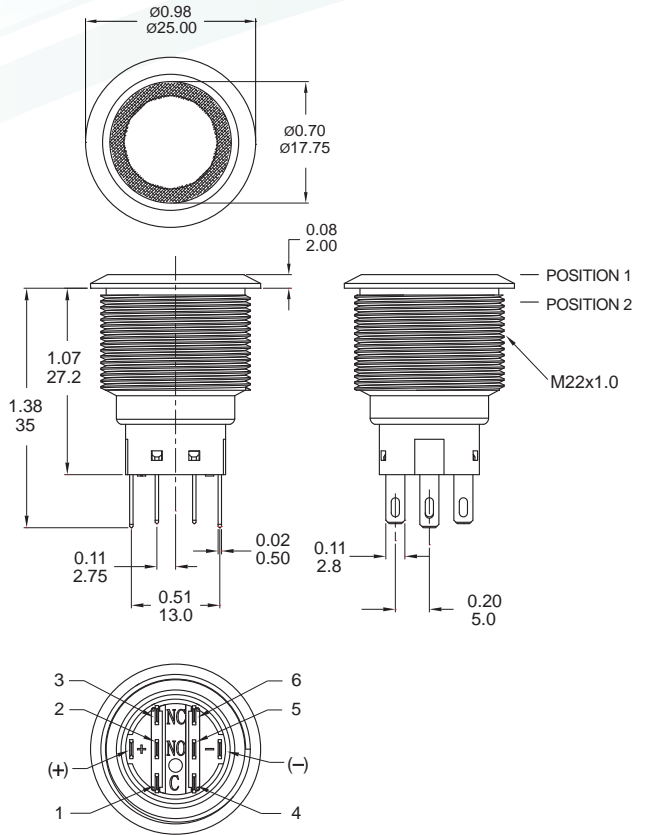
MPB22

DIMENSION

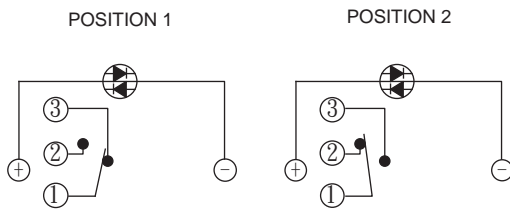
With LED (1 Pole)



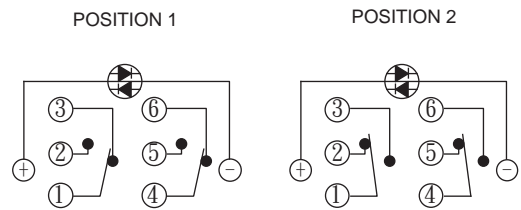
With LED (1 Pole)



CIRCUIT



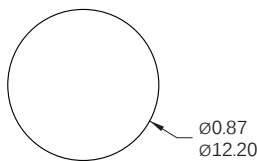
With LED (1 Poles)



With LED (2 Poles)

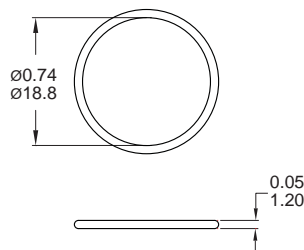
PANEL CUTOUT / HARDWARE

PANEL CUTOUT



MAX.PANEL THICKNESS: 10.0mm[0.39]

O-RING



M22 NUT

