

SPECIFICATION

RATING : DC 15V 2A ; DC 16V 3A

CONTACT RESISTANCE : 30 mΩ MAX.

INSULATION RESISTANCE : 100 MΩ MIN.

MECHANICAL LIFE : 30,000 cycles.

MATERIALS

CASE&HOUSING: Glass filled Nylon 6/6,black.

ACTUATOR : Glass filled Nylon 6/6,gray.

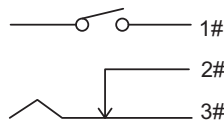
CONTACT : Copper alloy,silver plated.

TERMINALS : Copper alloy,silver plated.

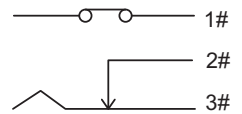
PIN : Brass,nickel plated.



SCHEMATIC



OPEN CIRCUIT

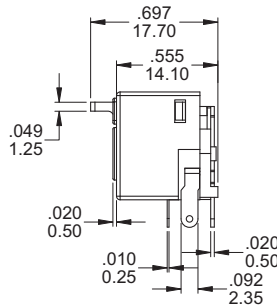
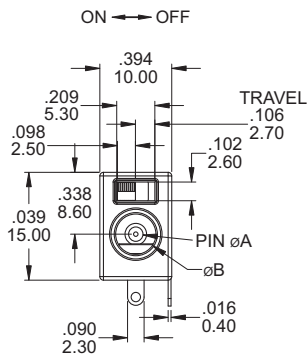


CLOSED CIRCUIT

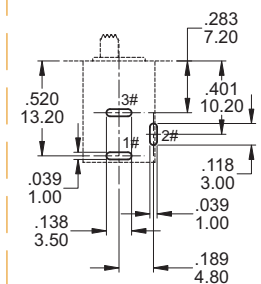


POLE OPTIONS

SPST

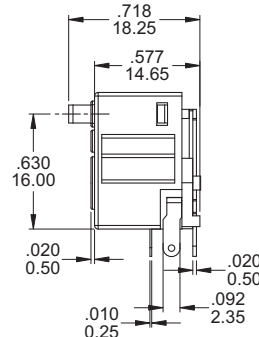
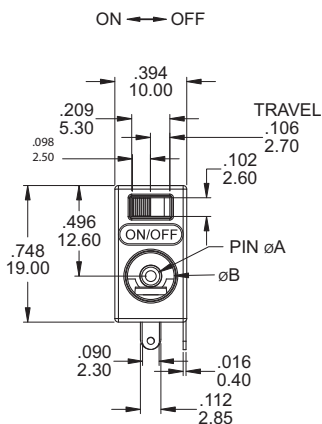


P.C. MOUNTING

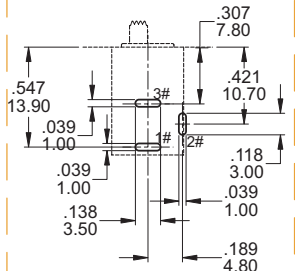


Dimensions	PIN Ø A	Ø B
MODEL		
SJ-003	ø2.00	ø5.60
SJ-006	ø2.50	ø5.60

SPST



P.C. MOUNTING



Dimensions	PIN Ø A	Ø B
MODEL		
SJ-004	ø2.00	ø6.30
SJ-005	ø2.50	ø6.50