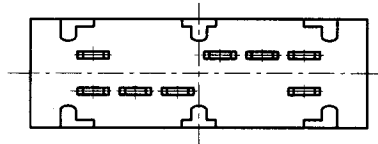
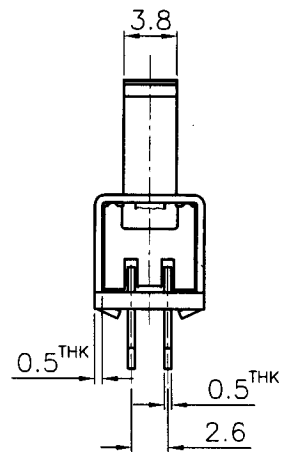
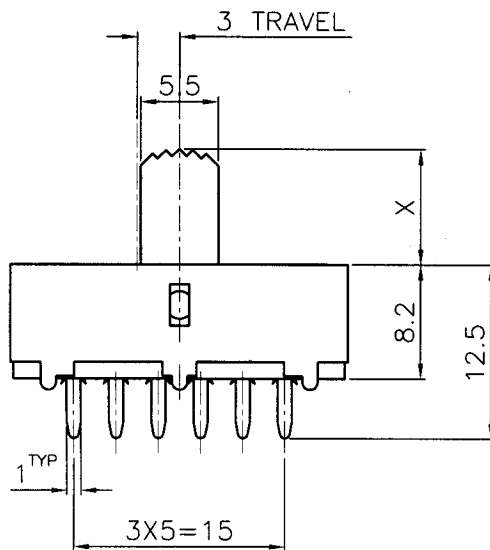
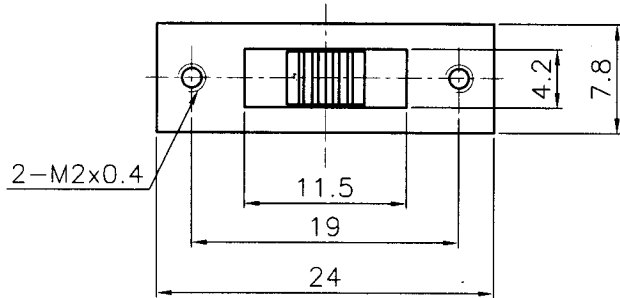


SCHEMATIC



X =

ISSUED	SPECIFICATION (INITIAL)	TITLE: SLIDE SWITCH 2P3T			
	RATING: DC 50V 0.5A	MODEL NO: SS-23F04-G			
	CONTACT RESISTANCE: Not more than 30m	UNIT: m m	DWN	Q F L	10.01.06
	INSULATION RESISTANCE: 500MΩ at 500V DC	SCALE: 2 : 1			
	WITHSTAND VOLTAGE: AC 500V for 1 min	TOLERANCE: ±0.2			
	OPERATION FORCE: 400±200g	APPD.			
	SWITCHING LIFE: 10000 Cycles(6-10c/m loading)	DRWG NO: XXXXXX-XX			
BY:	PROMOTIVE INDUSTRIAL CO., LTD. HONG KONG				
DATE:					