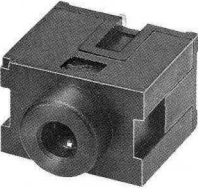
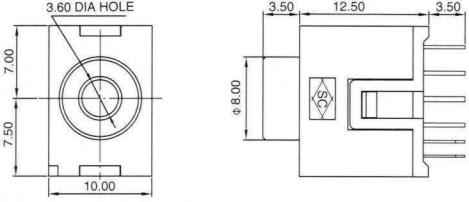
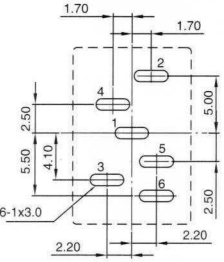
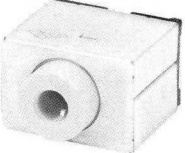
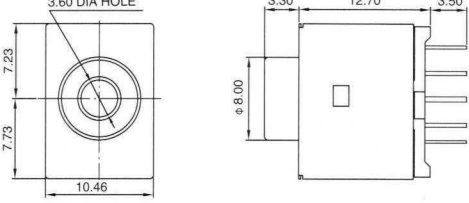
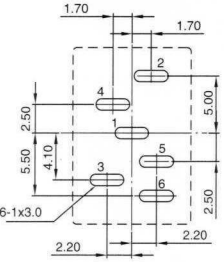

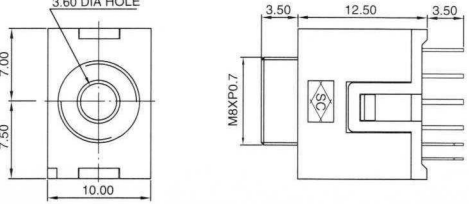
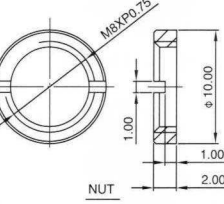

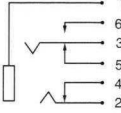
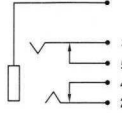
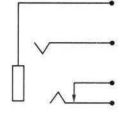
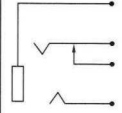
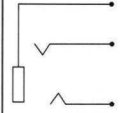
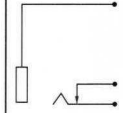
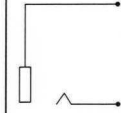


3.5Ø PHONE JACK

SCJ364 SERIES	Dimension (m/m)		Pin Hole Layout (Jack Bottom View)				
 <p>SCJ 364P0</p>	<p>SCJ 364P0</p> 						
 <p>SCJ 364P0****N0</p>	<p>SCJ 364P0****N0</p> 						
 <p>SCJ 364P0*****N0</p>	<p>SCJ 364P1</p> 						
Schematic Code							
 <p>SCJ 364P1</p>	 <p>I</p>	 <p>U</p>	 <p>V</p>	 <p>W</p>	 <p>X</p>	 <p>Y</p>	 <p>Z</p>

