

W825

Mini-USB 2.0 Steckverbinder Schraubverriegelung Gehäusemontage IP67 Mini-USB 2.0 Panel Mount Connectors with Screw Lock IP67

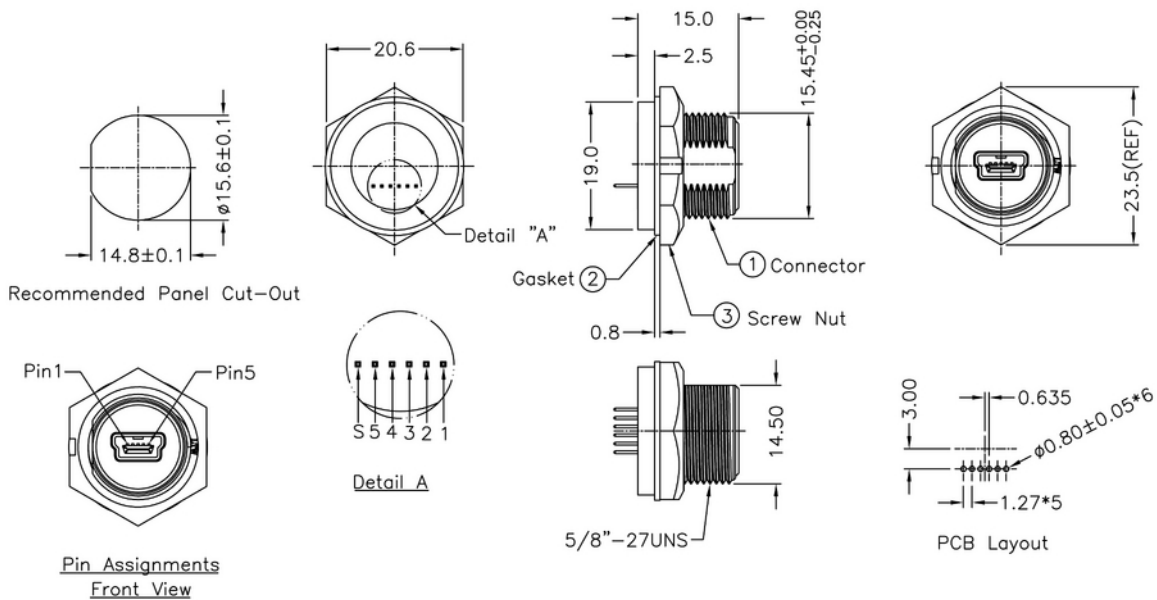
Technische Daten / Technical Data

Isolierkörper	Thermoplast
<i>Insulator</i>	<i>Thermoplastic</i>
Kontaktmaterial	Kupferlegierung
<i>Contact Material</i>	<i>Copper alloy</i>
Kontaktfläche	Vergoldet 30µ"
<i>Contact Surface</i>	<i>Gold plated 30µ"</i>
Durchgangswiderstand	< 30mΩ
<i>Contact Resistance</i>	< 30mΩ
Isolationswiderstand	> 1000MΩ
<i>Insulation Resistance</i>	> 1000MΩ
Spannungsfestigkeit	500V _{AC} @ 1min
<i>Test Voltage</i>	500V _{AC} @ 1min
Nennstrom	1A
<i>Current Rating</i>	1A
Temperaturbereich	-20°C ... +80°C
<i>Temperature Range</i>	-20°C ... +80°C
Verarbeitung	Wellenlötverfahren
<i>Processing</i>	<i>Wave soldering</i>



© W+P PRODUCTS

Passende Produkte:
Compatible Products:
WA826 W900



Series

W825

Lock Type / IP Class

37

37 Screw 5/8" (IP67)

Terminals

1

1 PCB Pins